

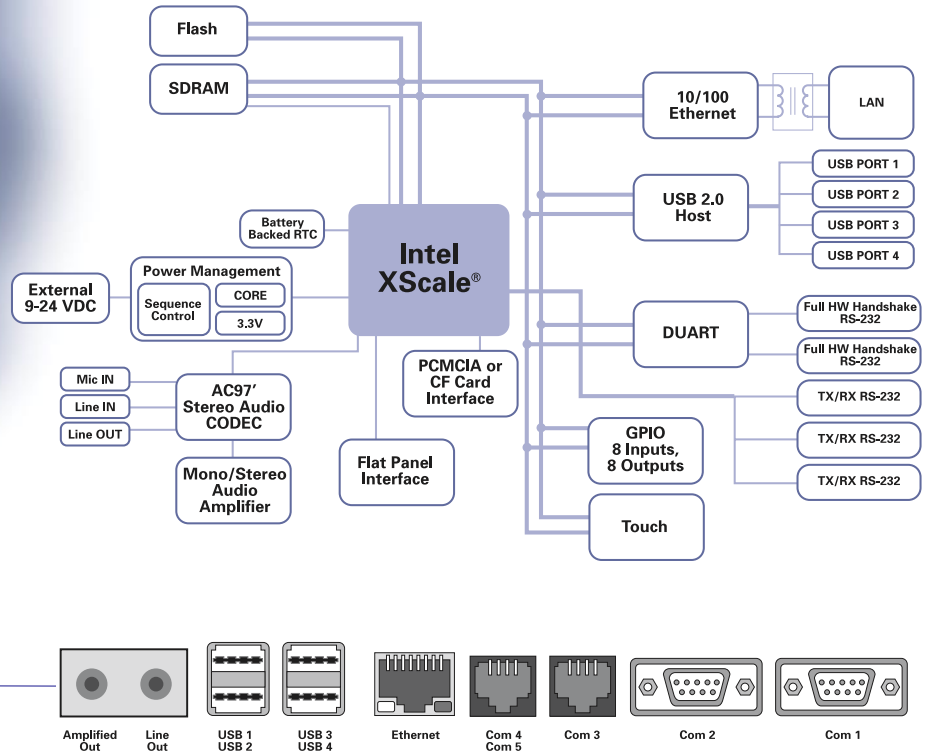
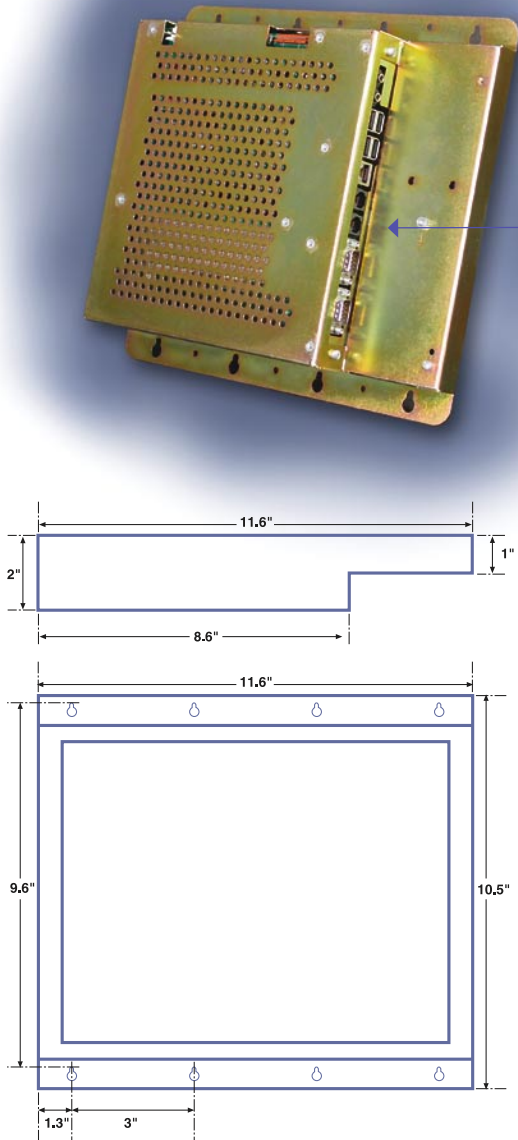
# NXS12<sup>TM</sup>



*The NXS 12x is a self-contained open-framed computing system incorporating Nexus Technologies' embedded single board computer platform based on the Intel® XScale® processor. The NXS 12x includes a 12.1" TFT-LCD panel and a touch screen suitable for retail and industrial applications. Serial and USB ports are provided for use with various peripherals. Additionally, the NXS 12x supports PCMCIA and 10/100 Base T Ethernet.*

- **Intel® XScale®** @ 400 MHz
- **Linux** or **Windows CE®** Compatible
- 32 Megabytes of **SDRAM** (up to 64 megabytes optionally)
- 16 Megabytes of **Flash** (up to 64 megabytes optionally)
- **USB HOST** (USB 1.1/2.0 compatible - 4 ports)
- **PCMCIA/PcCard** + 5V or 3.3V (**CF** interface optional)
- **12.1" TFT LCD SVGA Panel** (supporting up to 800 X 600 resolution at 16-bit color)
- **Touch Screen**
- Amplified Mono **Audio Output** (4 or 8 ohms drive - 6W min./20W max. - stereo optional)
- **Up to Five RS-232 Serial Ports** (for external devices such as printer, magnetic stripe reader, bill acceptor, etc.)
  - Configurable parity, number of data bits, and the number of stop bits
  - Two ports support hardware hand shaking
  - Three ports transmit and receive data
- **10/100 Base T Ethernet**
- **Real Time Clock** with battery backup
- 9 - 24V Regulated DC **External Power Source**
- Operating temperature **0° to +50° C**
- **8 General Purpose Buffered Logic Level Input Pins** (for user buttons, credit indications, configuration switches, etc.)
- **8 General Purpose Buffered Logic Level Output Pins** (for lamps, coin control, etc.)
- **Plated Steel Frame Enclosure**
- **Peripheral Options** Available
  - Surface mount bezel kit
  - 19" rack mount kit

## PLATFORM REFERENCE DIAGRAM



*Nexus Technologies, Inc. was founded in 1997 as an electronic engineering design firm. Today, Nexus has design, manufacturing, consulting and service capabilities enabling the company to deliver creative hardware and software solutions to its customers. Nexus offers its products and services to customers in a wide variety of industries such as retail, medical, gaming, video and power generation.*

