



**Imaging Device with Low Voltage Serial
and USB 1.1 Compatible Interface**
Deliver image capture capabilities to fixed mount applications
Suitable for fixed mount unattended scanning

The MS4407 fixed mount scan engines provide signature capture and imaging capabilities in addition to complete omni-directional decode of one-dimensional (1D) and two-dimensional (2D) barcodes. An array of flexible features such as adjustable focal lengths, multiple illumination options, integrated aiming system, and trigger mode capabilities allow its use in all types of environments and applications including operation in both sunlight and total darkness.

| Market | Applications |
|-------------------------|--|
| Healthcare | Mobile clinical diagnostic equipment for dialysis, blood glucose, drug dispensing. |
| Industrial | Electronic manufacturing |
| Security and government | ID verification |
| Retail | Kiosks, lottery terminals |

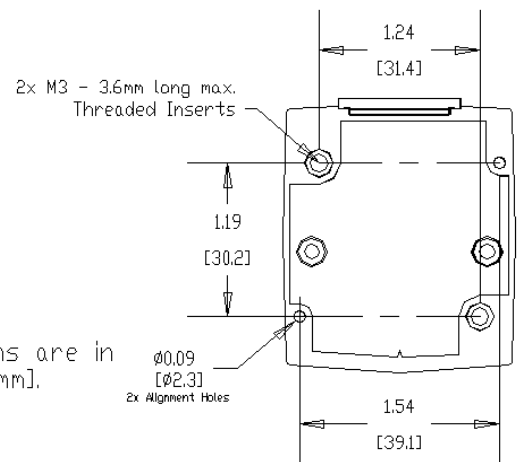
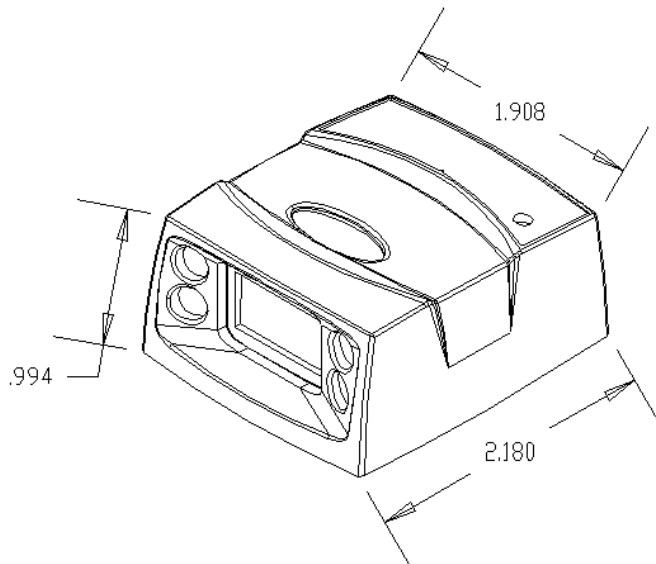
| Features | Benefits |
|---|---|
| Omni-directionally reads 1D and 2D barcodes | Speeds processing since the barcodes and images do not have to be oriented with a scan line. |
| Integrated barcode decoding | Simplifies integration and removes the task of complex algorithm development. |
| CCD-based image capture | Captures signatures, black-and-white images, and multiple barcode formats. |
| Smart focus system | Speeds image capture and provides exceptional depth of field for all barcode densities. |
| Integrated aiming system | Offers unique framing of image for quick, reliable, and consistent capture of barcodes and images. |
| Illumination internal/external | Allows the flexibility to adapt to various lighting environments including total darkness. |
| Low power operation | Eliminates the need for an external power supply when connected to a USB host port. |
| Simple serial interface for programming | Provides powerful and easy communication between the host and scanner including advanced options and functionality. |
| MS4407 Low Voltage Serial and USB 1.1 interface options | Allows flexibility when scanner is used in conjunction with fully populated instruments and kiosks. |

| User Environment: | |
|------------------------|--|
| Ambient Light | Total darkness to 9,000ft. candles (96,900Lux) |
| Operating Temperature: | TBD |
| Storage Temperature: | -40° to 158° F (-40° to 70°C) |
| Humidity | Operating: 95% RH, non-condensing at 60°C Storage: 85% RH, non-condensing at 70°C |
| Shock: | 2000 +/- 5% G |
| Power MS4404 | Input Voltage: +5V +/- 10% Input Current (+5Vin presentation mode active scan with external illumination:) 215mA typ. |

| Performance Characteristics: | |
|--|---|
| Field of view: | Horizontal: 33.2 degrees Vertical: 24.5 degrees |
| Optical Resolution (gray scale) | 640 (H) x 480 (V) pixels |
| Roll: | 360° |
| Pitch Angle: | +/- 60° from normal |
| Skew Tolerance: | +/- 50° from normal |
| Focal Distance from front of Engine: | Near: 5 inches Far: 9 inches |
| Aiming Element (VLD): | 650 nm +/- 5 nm |
| Illumination Element (LEDs) Internal/External: | 635 nm +/- 20 nm |
| Interface: | 0 – 5V Serial (TTL 232), USB 1.1 |
| Symbologies: | 1-D Symbology: UPC/EAN, Code 128, UCC.EAN128, RSS, Code 39, Code 93, I 2 of 5, Discrete 2 of 5, Codabar, MSI 2-D Symbology: MaxiCode, PDF417, DataMatrix, QRCode Postal Codes: U.S. Postnet, U.S Planet, UK Postal, Australian Postal, Japan Postal |
| Image File Formats: | BMP, TIFF, JPEG |
| Programmable Parameters: | Power Mode, Trigger Mode, Beeper Tone, Session Time, Focus Control, Camera Control, Image Control |

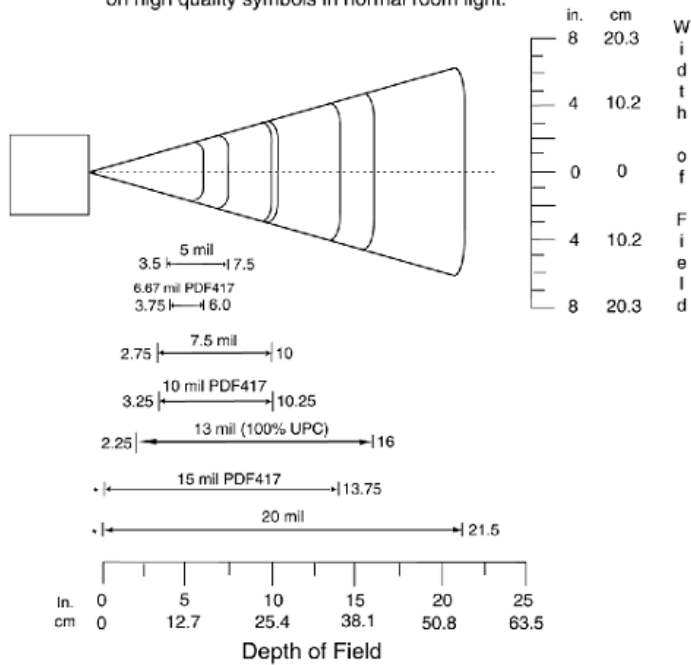
| Regulatory | |
|--|---|
| Laser Classification (aiming Element): | It is intended for use in CDRH Class II/IEC 825 Class 1 devices |
| Electrical Safety (pending) | UL, VDE and CUL |
| Radiated Emissions (pending) | FCC Part 15 Class B, CISPIR22 Class B |

| Physical Characteristics: | |
|---------------------------|--|
| Dimensions: | 0.99in H x 1.91in W x 2.18in D |
| Weight: | 1.8oz |
| Interface: | 9-pin Male D-sub supports all interfaces |

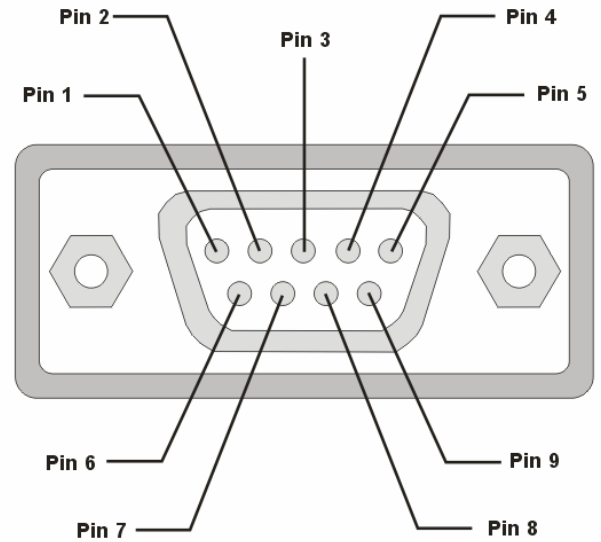


Decode Zone

Note: Typical performance at 73°F (23°C)
on high quality symbols in normal room light.



* Minimum distance determined by symbol length and scan angle.



| True RS-232 Interface | |
|-----------------------|--|
| Pin 1 | Trigger |
| Pin 2 | TXD Output |
| Pin 3 | RXD Input |
| Pin 4 | NC |
| Pin 5 | Ground |
| Pin 6 | +5VDC - +12VDC |
| Pin 7 | CTS Input |
| Pin 8 | RTS Output |
| Pin 9 | NC |
| NC | = No Connect (Do not Connect This Pin) |



CAUTION

CLASS 1 LASER PRODUCT
LASER CLASSE 1
APPAREIL À LASER DE CLASSE 1
7mW Max. @ 650nm

LASER LIGHT. DO NOT STARE INTO BEAM